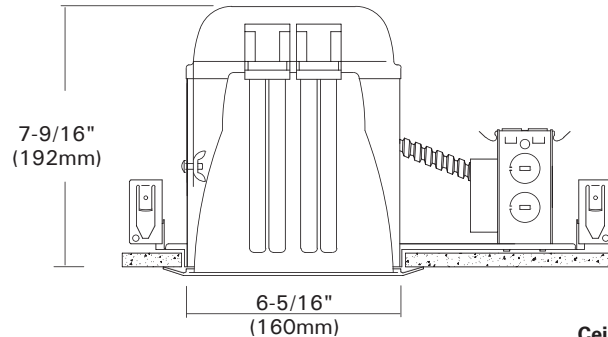


DLF-206

6" NON-IC Vertical Housing For (2)13W, 18W or 26W DTT Lamps

Catalog #		Type
Project		Date
Prepared by		

FLUORESCENT



Ceiling Cut-out : 6-1/2"
Lamp, Max, Watt. : (2)26W

DESCRIPTION & APPLICATION

The DLF-206 is a 6" aperture housing for (2) vertical CFL lamps. The DLF-206 is designed for use in both non-insulated and insulated ceilings. Insulation material must be kept a minimum of 3" from all sides of the housing. The DLF-206 offers a wide choice of trim types including reflector, lensed and wall wash trims.

DESIGN FEATURES

• Housing

- Single wall aluminum housing.
- 7-1/2" height allows use in 2" x 8" joist construction.
- Housing adjusts for ceilings up to 1-1/4" thick.

• Junction Box

- Listed for through branch circuit wiring. (Max. 8 No 12 AWG 90°C branch circuit conductors. (4 in, 4 out)
- (5) 1/2" knockouts with true pry-out slots and (4) knockouts with Romex cable clamp.
- Ground wire provided on J-box.

• Reflector

- Anodized clear, haze, gold, champagne, pewter color finished full reflectors. And anodized reflectors with black or white milled groove baffle collar.

• Trim

- White plastic ring or plated chrome, satin nickel, polished brass, natural steel color ring.

• Mounting Frame

- Galvanized steel construction.
- 12"L x 7-5/8"W

• Socket

- G24Q/GX24Q socket for use 4 pin DTT, TTT lamps.

• Bar hangers

- Maximum extension of 24" allows for extra distance between joists.
- Housing can be positioned at any point within 24" joist span,

- Score lines allow "toolless" shortening for 12" joists. Bar hangers may be repositioned 90 degrees.
- Integral T-bar clips snaps onto T-bars and no additional clips are required.

• Just-A-Nail

- Pre-installed nail bars with vertical slots are used to evenly align the bars horizontally after nailing halfway into wood joists.

• Lamp

- Compact Fluorescent lamps.
 - * DTT-Double twin tube (Quad/CFQ)
 - (2) 13W DTT (4 pin)
 - (2) 18W DTT (4 pin)
 - (2) 26W DTT (4 pin)

• Ballast

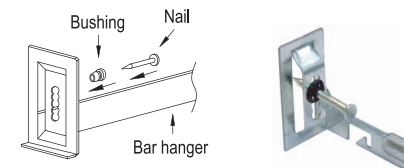
- Class P Thermally protected by internal fuse (3 amp fast blow), Multi-volt electronic ballast or thermal switch in magnetic ballast.
- High Power Factor Multi-volt Electronic ballasts for 4 pin type compact fluorescent lamps or Magnetic ballast for 2 pin lamps mounted on J-box door for easy access from inside of fixture.

* Listing

- UL, c-UL listed for damp location.
- UL, c-UL listed for feed through.

• Just-A-Nail

Adjustable nail hanger bar for easy alignment.



JUST-A-NAIL

• Optional "Quick Connect" Push-in wire connectors.

- Three "Quick Connectors"
- Pre-installed push-in wire connectors for fast and easy wiring.

Ordering Information

Housing	Ballast	Lamp Watt.	Option
DLF-206	-N : 120V NPF Magnetic -H : 120V HPF Magnetic -NE : 120V NPF Electronic -HE : 120V HPF Electronic	-E : 120V/277V HPF Electronic 213 : (2)13W 218 : (2)18W 226 : (2)26W	-EM : Emergency w/ Remote Test Switch -C : Quick Connectors

Example : DLF-206-E218

Trims

6" Compact Fluorescent Trims For

DLF-206, ICF-206AT

Catalog #		Type
Project		Date
Prepared by		

FLUORESCENT

TM-192R Specular Reflector
(Two Lamp)
NON-IC : 2x26W DTT
IC : 2x18W DTT

TM-109R IC : 1x32W TTT
(One Lamp) 1x26W DTT

White Plastic Trim Ring
O.D : 7-1/2"



TM-112B Baffle w/ Reflector
NON-IC : 2x26W DTT
IC : 2x18W DTT

White Plastic Trim Ring
O.D : 7-1/2"



TM-1954 Wall Wash w/ Reflector
(Two Lamp)
NON-IC : 2x26W DTT
IC : 2x18W DTT

TM-1054 IC : 1x32W TTT
(One Lamp) 1x26W DTT

White Plastic Trim Ring
O.D : 7-1/4"



TM-1926B Baffle w/ Convex Prismaic
(Two Lamp) Lens, Reflector
2x18W DTT

TM-1916B IC : 1x26W TTT
(One Lamp) 1x18W DTT

White Plastic Trim Ring
O.D : 7-1/2"



TM-1926R Reflector w/ Convex Prismaic Lens
(Two Lamp) *2x18W DTT*

TM-1916R IC : 1x26W TTT
(One Lamp) 1x18W DTT

White Plastic Trim Ring
O.D : 7-1/2"



TM-1927 Reflector w/ Frosted Drop Lens
(Two Lamp)
NON-IC : 2x26W DTT
IC : 2x18W DTT

TM-1917 IC : 1x32W TTT
(One Lamp) 1x26W DTT

White Metal Trim Ring
O.D : 7-1/4"



ORDERING INFORMATION

Choose the catalog / finish codes that best suit your needs and enter it on the appropriate line.

TRIM MODEL	REFLECTOR	BAFFLE	METAL RING
	CL :Clear	WH :White	WH :White
	WH :White	BK :Black	BK :Black
	GD :Gold	SN :Satin Nickel	SN :Satin Nickel
	MA :Matte Platinum	AN :Antique Nickel	AN :Antique Nickel
	CP :Champagne	AC :Antique Copper	AC :Antique Copper
	PR :Pewter	MO :Mocha	MO :Mocha
	HC :Haze Clear	CA :Cappuccino	CA :Cappuccino
		CH :Chrome	CH :Chrome
		UN :Natural Steel	UN :Natural Steel
		PB :Polished Brass	PB :Polished Brass

Examples:
TM-192R-CL-WP = White Trim Ring w/ Clear Reflector

- ◆ Available with metal rings (7-1/2" O.D).
- ◆ All trims are damp location, Lens trims are wet location listed.

PLASTIC RING OPTIONS

WS :7-1/4" O.D (White)
WO :7-7/8" O.D (White)